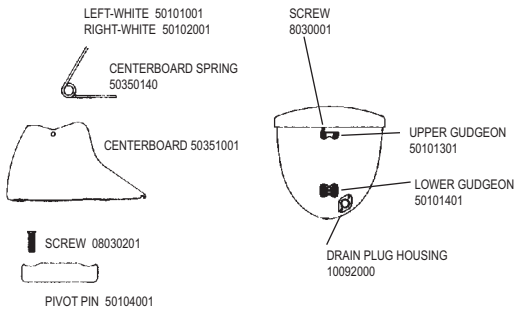
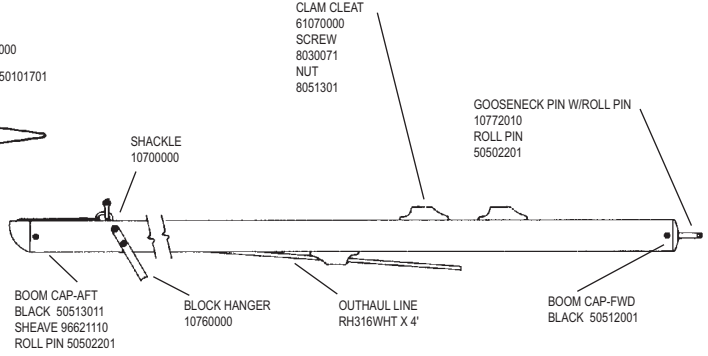
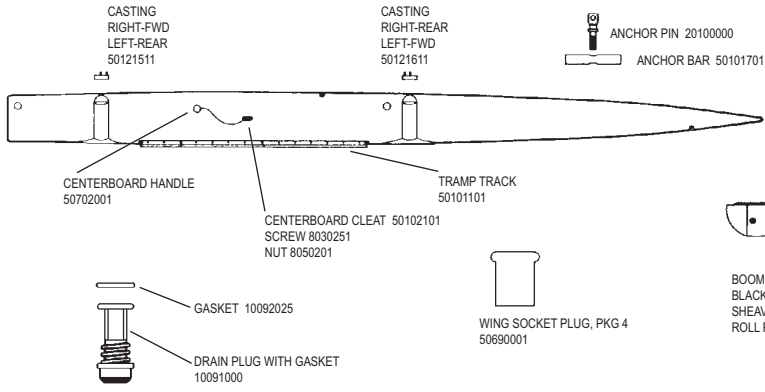
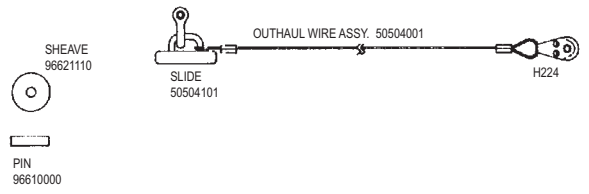


### H17 HULL/DECK



### H17 BOOM

BLACK 50510000

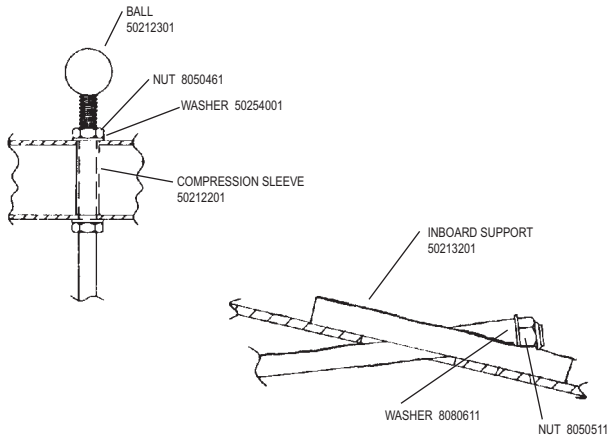


### H17 FRONT CROSSBAR

BLACK 50220000

### EXTRUSION ONLY

BLACK 50221001



### H17 REAR CROSSBAR ASSEMBLY

CAP 50262101

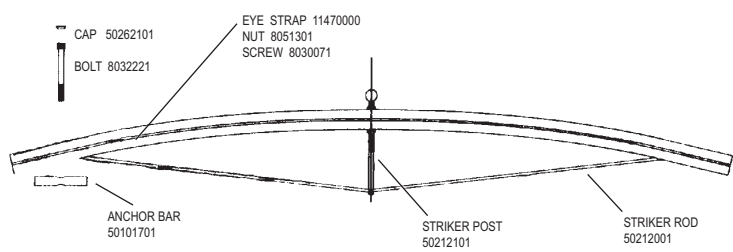
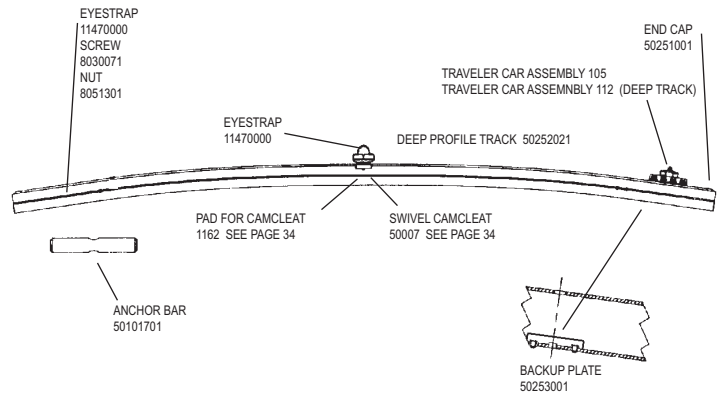
BLACK 50260000

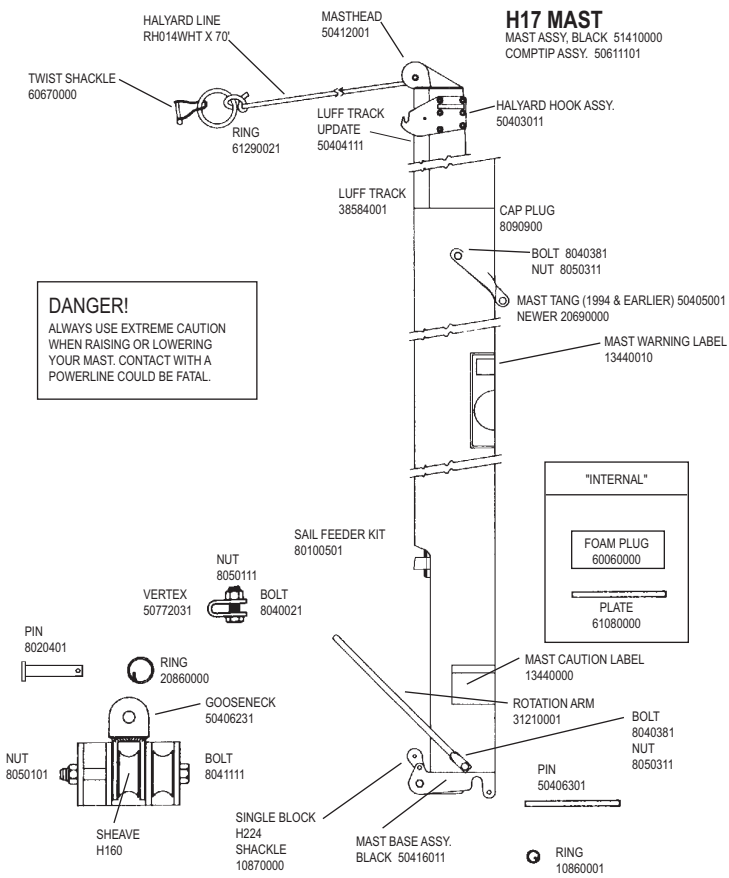
NOTE: ALL HOBIE 17 MODELS SINCE 1995 HAVE A DEEP PROFILE TRAVELER TRACK THAT ACCEPTS THE 106 OR 112 TRAVELER CAR

### EXTRUSION

BLACK 50261001

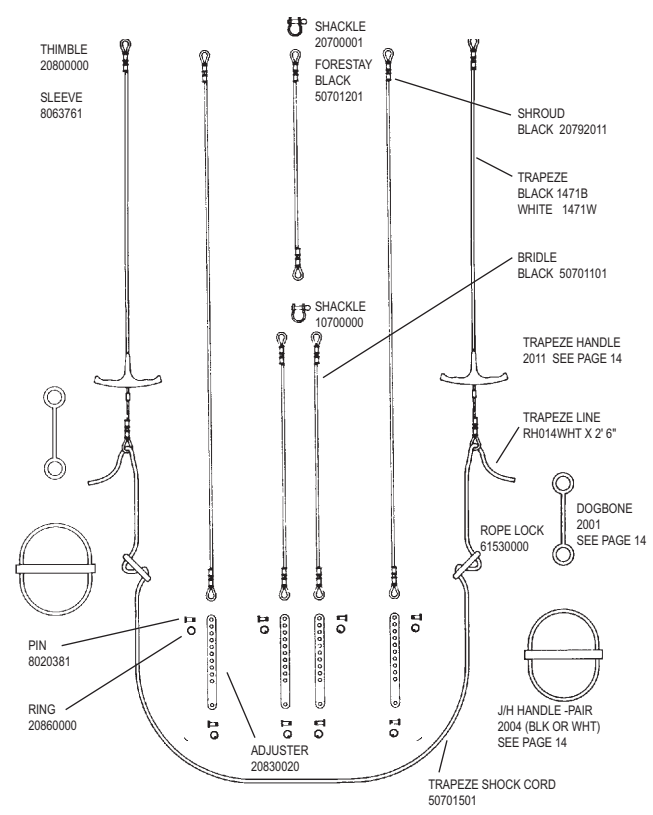
BOLT 8032221





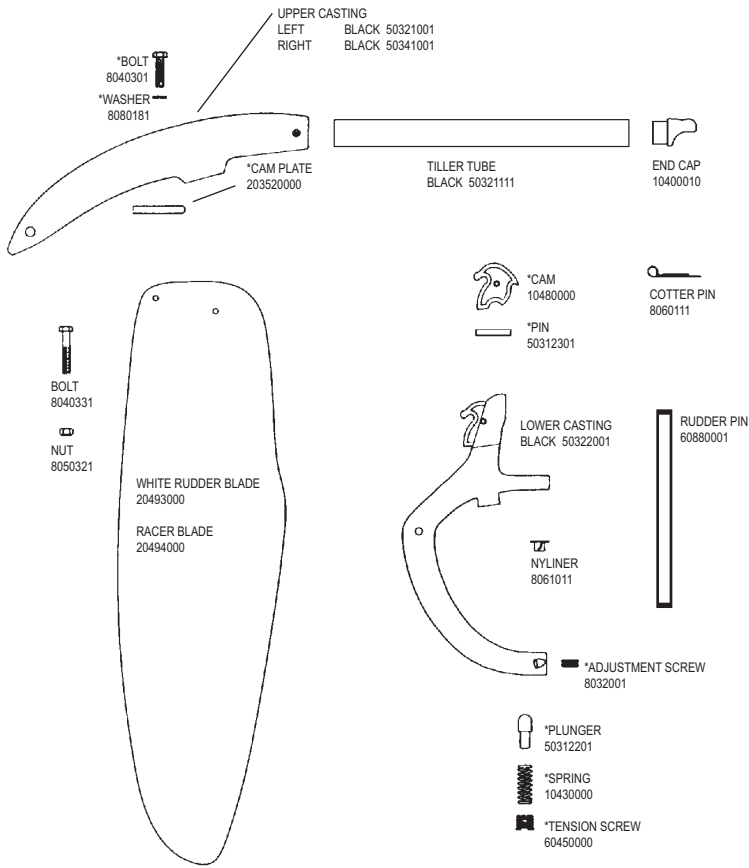
**DANGER!**  
ALWAYS USE EXTREME CAUTION WHEN RAISING OR LOWERING YOUR MAST. CONTACT WITH A POWERLINE COULD BE FATAL.

### H17 WIRES

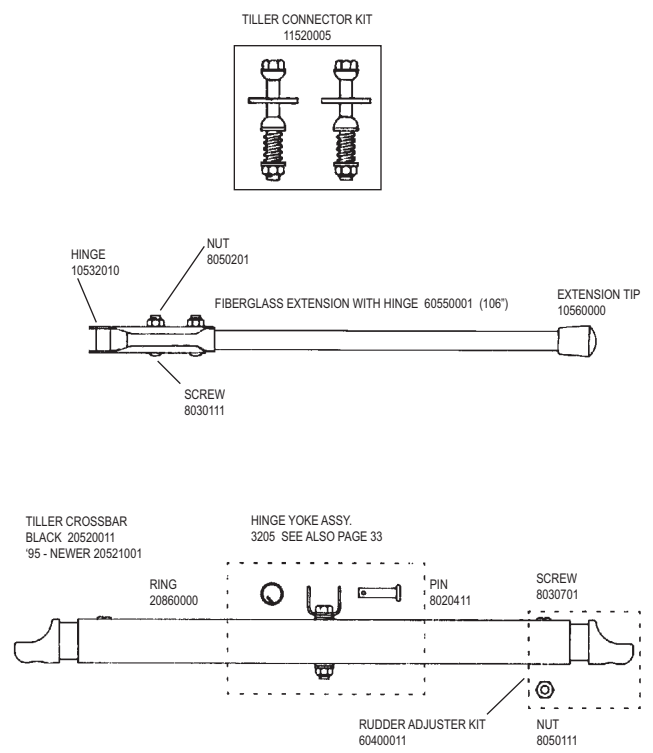


### H17 RUDDER ASSEMBLY

\* = SUB ASSEMBLY PART / INCLUDED WITH CASTING



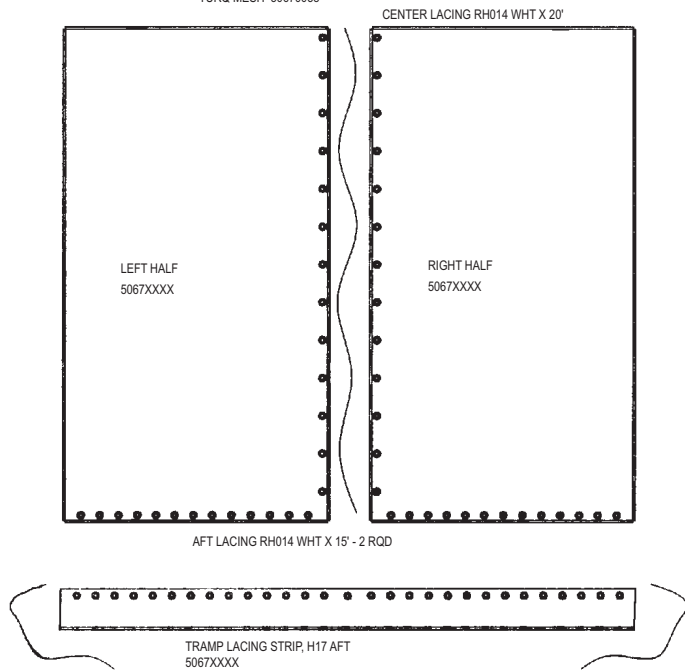
### H17 TILLER



# H17 TRAMPOLINE

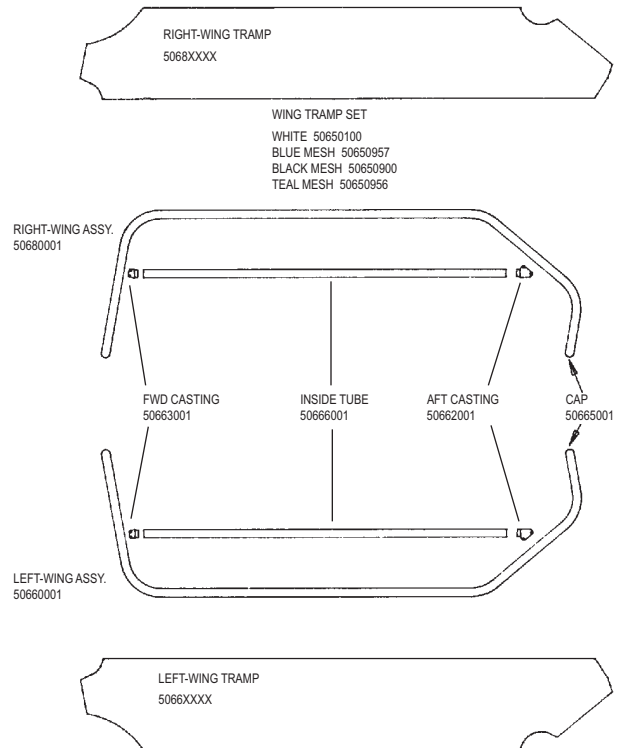
COMPLETE TRAMPOLINES (Does not include lace line)

- WHITE 50670000
- BLACK MESH 50670091
- TEAL MESH 50670056
- BLUE MESH 50670057
- TURQ MESH 50670058

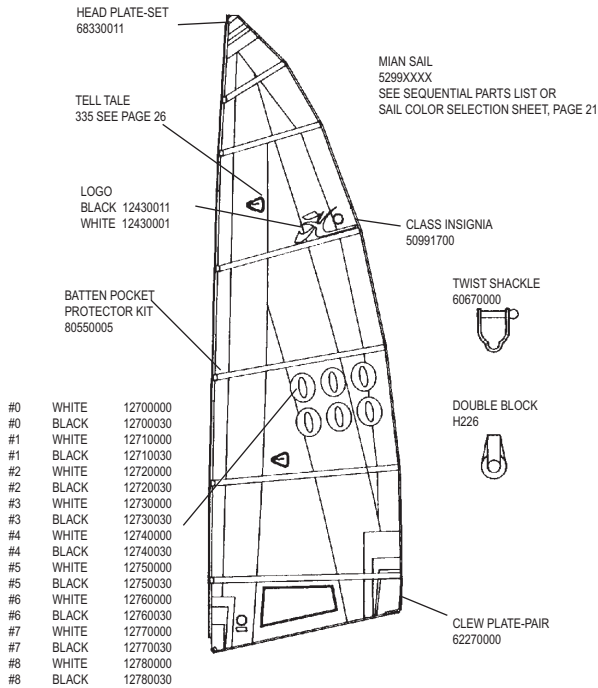


# H17 WINGS

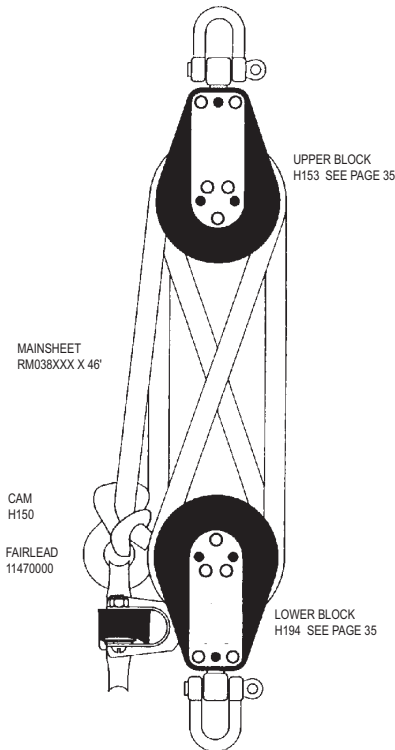
SET W/O TRAMPOLINES 50650000



# H17 SAIL



# H17 BLOCK SET



## H17 Rivet Guide

( ) indicates quantity needed to fasten part

<b>Mast</b>	
Head	8010131 (2)
Halyard Hook	8011231 (3)
Base	8010131 (2)
<b>Rear Crossbar</b>	
Swivel Jammer	8010201 (1)
	8031501 (2)
	8031231 (2)
	8080011 (1)
	8050801 (1)
Dead Eye	8010181 (4)
Back Up Plate	8010201 (4)
Track	8010201 (44)
<b>Hull</b>	
Trampoline Track	8010121 (9)
(backup washers required on above.61360000)	
<b>Boom</b>	
End Cap (gooseneck)	8010131 (2)
Block Hanger	8010181 (4)
End Cap	8010131 (2)
<b>Rudder (Upper Casting)</b>	
Casting	8011231 (4)
End Cap	8010131 (2)
<b>Sail Hardware</b>	
Headboard	8010020 (16)
Main Clew Plate	8010020 (10)
Batten Pocket	8010020 (4)
Jib Clew Plate	8010020 (6)
(above rivets require setting machine which is not available in a hand tool)	
<b>Wing</b>	
End Cap	8010051 (1)
Castings	8010131 (8)
<b>Forward Cross Bar - Sport</b>	
Swivel Cam Cleats	8010131 (4)

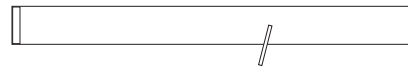
DOWNHAUL LINE  
RH316WHT X 5'

SAIL BAG  
21310000

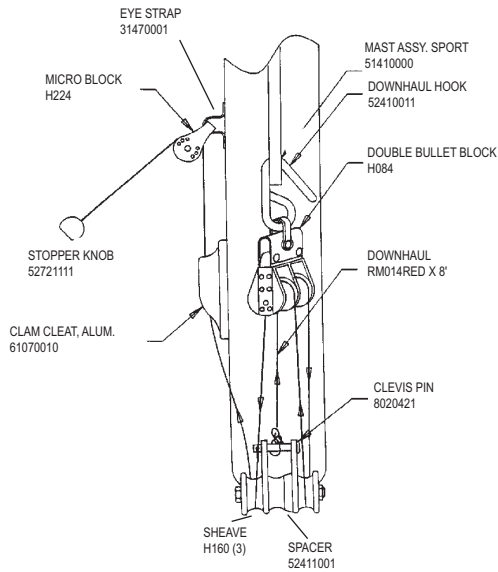
BATTEN TIE  
RH112WHT X 18"



To order from your nearest HOBIE dealer call  
**1 (800) HOBIE-49**  
[www.hobiecat.com](http://www.hobiecat.com)

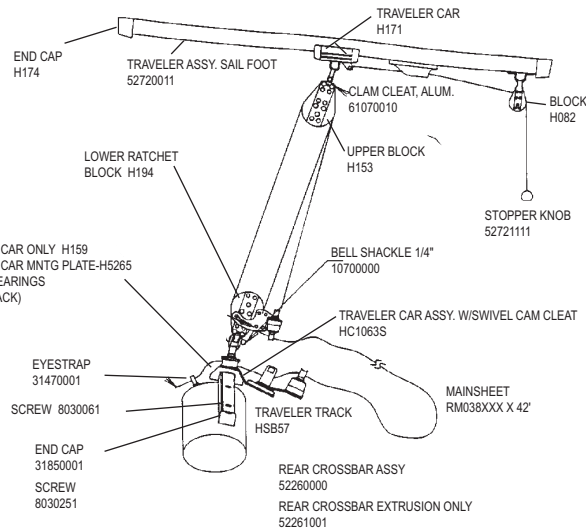


### H17 SPORT MAST ASSY. & DOWNHAUL

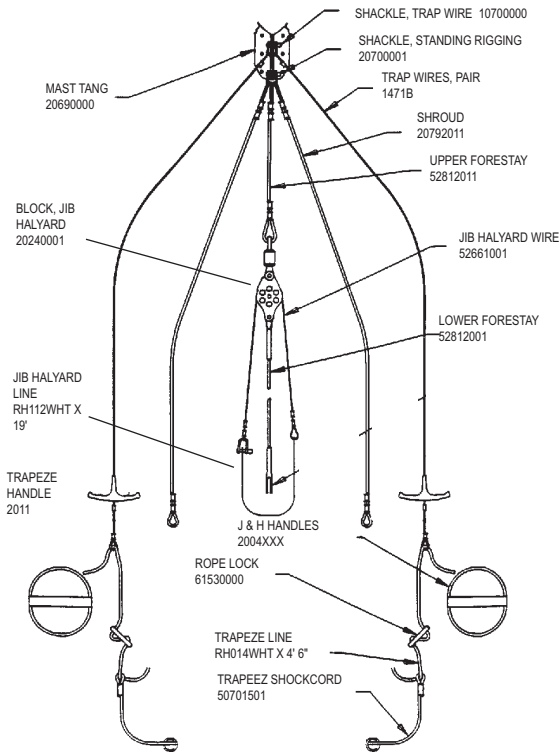


NOTE: WHERE A SPECIFIC ITEM IS NOT IDENTIFIED, USE THE STANDARD HOBBIE 17 LINE DRAWINGS.

### H17 SPORT REAR CROSSBAR, MAINSHEET SYSTEM AND OUTHAUL SYSTEM-1994 AND EARLIER



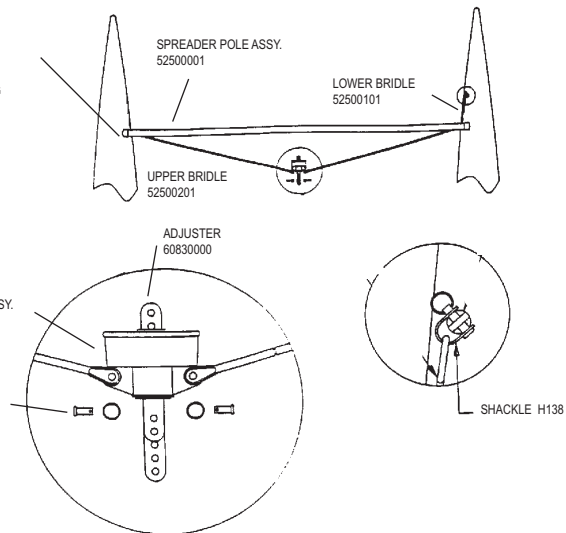
### H17 SPORT STANDARD RIGGING



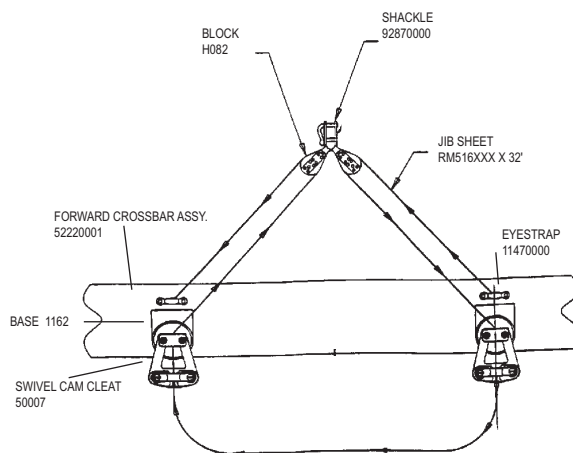
### H17 SPORT SPREADER POLE & FURLER

SPDR BAR END CAP (PLASTIC) 52009001  
 SPDR POLE END CAP CASTING 52502021  
 SPDR POLE YOKE ASSY 52503001

CLEVIS PIN 8020371  
 RING 20860000



### H17 SPORT FRONT CROSSBAR



### BATTENS



'94/OLDER SPORT	NEWER SPORT/SE
BATTEN #6 36 1/2"	BATTEN #6 36 1/2"
BATTEN #5 51 3/4"	BATTEN #5 51 3/4"
BATTEN #4 74"	BATTEN #4 74"
BATTEN #3 85 1/8"	BATTEN #3 86 1/4"
BATTEN #2 90 5/8"	BATTEN #2 93 1/4"
BATTEN #1 89"	BATTEN #1 94 3/4"

(FOR INDIVIDUAL BATTENS SEE UNIVERSAL BATTENS ON PAGE 25)